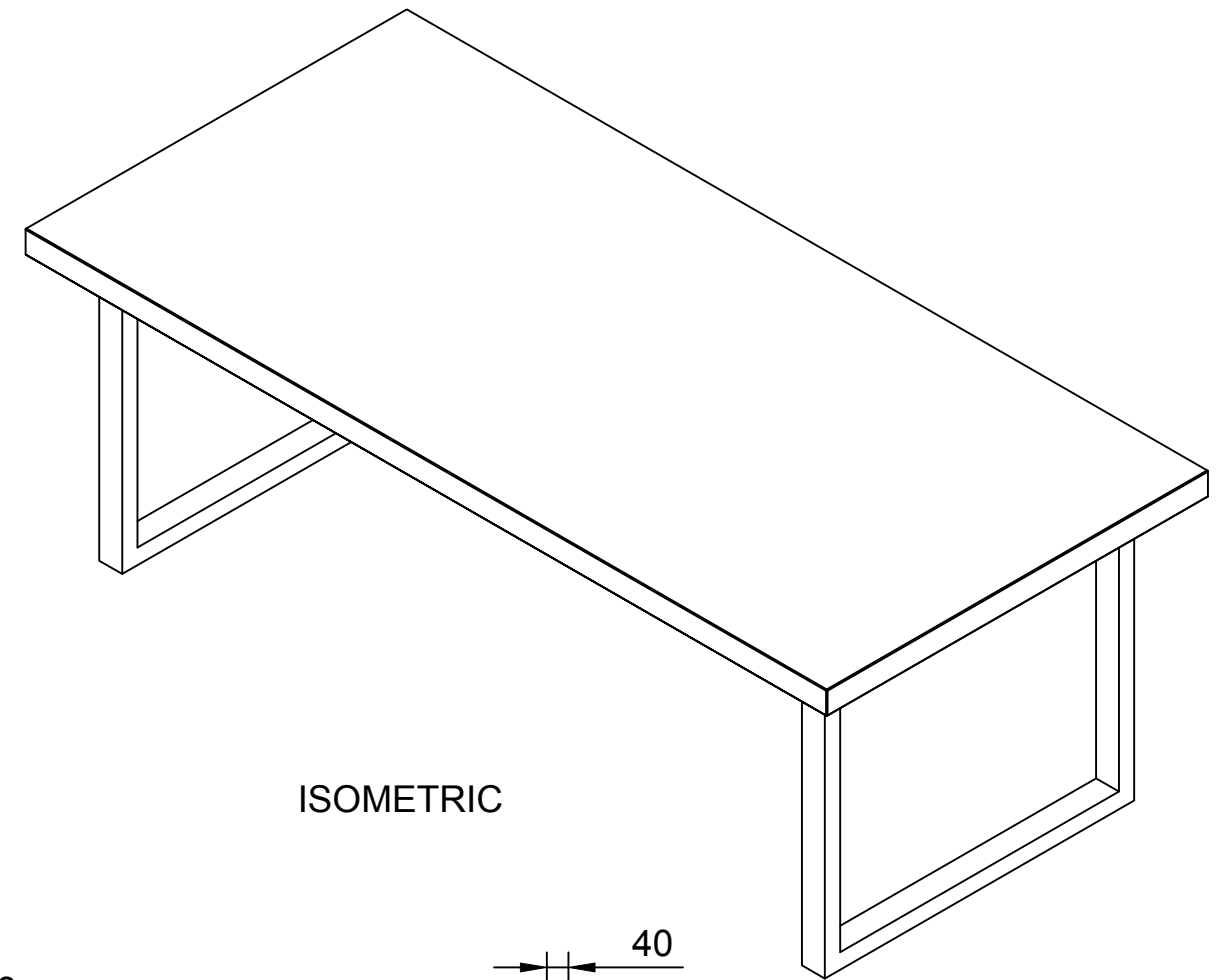
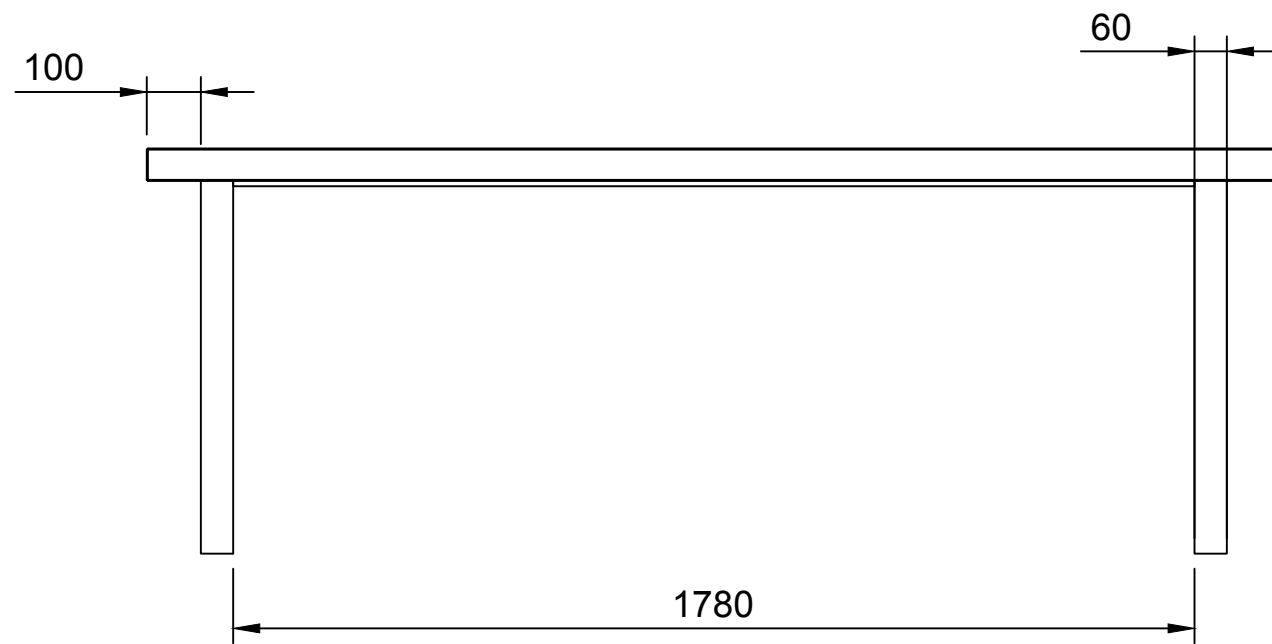


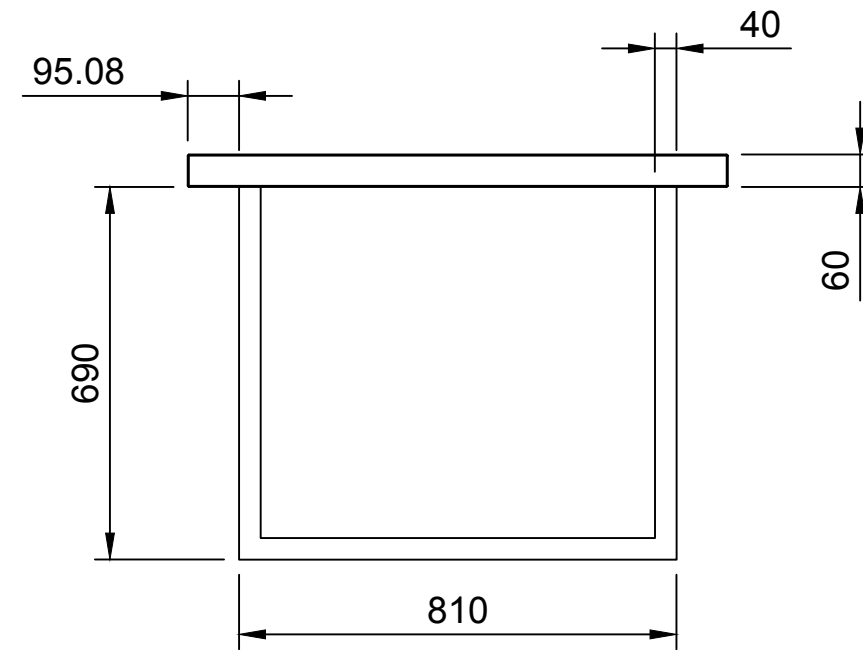
TOP



ISOMETRIC



FRONT



SIDE

	<p>WARRINGTON + ROSE</p>
	<p>BETON</p> <p>2100 X 1000 X 750</p>